

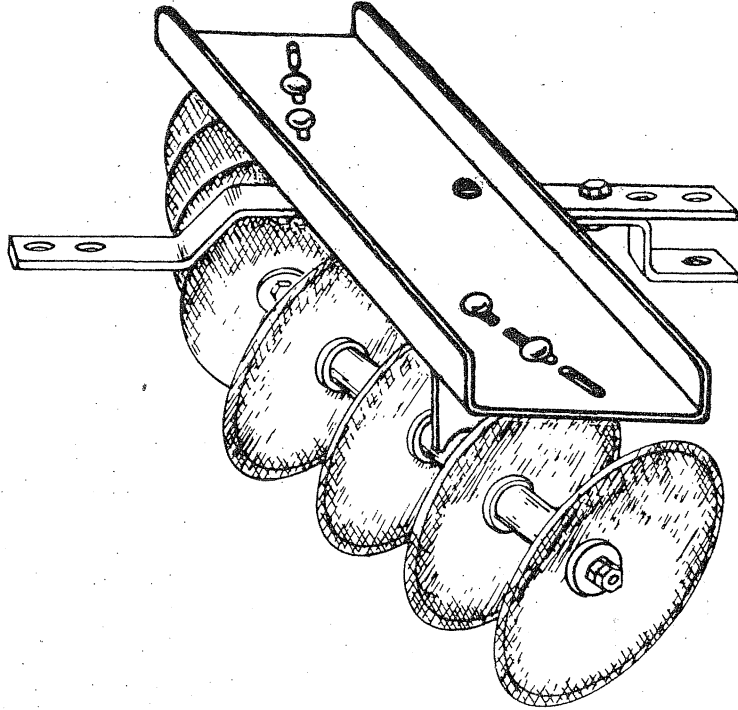
SINCE 1839

BRINLY

OWNER'S MANUAL

DD-551 DISK HARROW

- Assembly
- Installation
- Operation
- Repair Parts



THIS IMPLEMENT FOR USE WITH GARDEN TRACTORS EQUIPPED WITH SLEEVE HITCH. ALSO, TIRE CHAINS AND WHEEL WEIGHTS ARE RECOMMENDED.

"IMPORTANT: THIS MANUAL CONTAINS INFORMATION FOR THE SAFETY OF PERSONS AND PROPERTY. READ IT CAREFULLY BEFORE ASSEMBLY AND OPERATION OF THE EQUIPMENT!"

LIMITED WARRANTY

Brinly-Hardy Company warrants only to the original retail purchaser that this product will remain free of defects in workmanship and materials under normal use and service for a period of one (1) year (NOTE: ninety (90) days for commercial or rental use) commencing with the date of purchase.

Any parts found to be defective within the warranty period will be replaced, with proof of date of purchase, at Brinly-Hardy Company's expense. Our obligation under this warranty is expressly limited to replacement or repair, at our option of parts which are defective in material or workmanship within thirty (30) days of receipt of the parts. This warranty does not apply to damage caused by unreasonable use, including failure to provide necessary maintenance, nor does it apply to any transportation or labor charges.

WE MAKE NO OTHER EXPRESS WARRANTY NOR IS ANYONE AUTHORIZED TO MAKE ANY ON OUR BEHALF. ANY IMPLIED OR STATUTORY WARRANTIES, INCLUDING ANY WARRANTY OF MERCHANTABILITY OR FITNESS FOR A PARTICULAR PURPOSE, ARE LIMITED TO THE DURATION OF THIS WRITTEN WARRANTY. WE SHALL NOT BE LIABLE FOR CONSEQUENTIAL OR INCIDENTAL DAMAGES OF ANY KIND.

Brinly-Hardy Co. (800) 626-5329

MADE IN U.S.A.

CONGRATULATIONS on your purchase of this Brinly Attachment. It has been designed, engineered, and manufactured to give you the best possible dependability and performance.

Please read and retain this manual. The instructions will enable you to assemble and maintain your Attachment properly. Always observe the "SAFETY RULES".

Should the need ever exist for repair parts, order through most any Lawn and Garden dealer, using part number and description.



RULES FOR SAFE OPERATION

- Know controls and how to stop quickly, READ THE OWNER'S MANUAL.
- Do not allow children to operate the vehicle, do not allow adults to operate without proper instruction or without having read the owner's manual.
- Do not carry passengers. Keep children and pets a safe distance away.
- Always wear substantial footwear. Do not wear loose fitting clothing that can get caught in moving parts.
- Keep your eyes and mind on your tractor/attachment and area being covered. Do not let other interest distract you.
- Stay alert for holes in the terrain and other hidden hazards.
- Do not drive close to creeks, ditches and public highways.
- Watch out for traffic when crossing or near roadways.
- When using any attachment, don't allow anyone near the vehicle while in operation.
- Keep the vehicle and attachment in good operating condition and keep safety devices in place.
- Keep all nuts, bolts and screws tight to be sure the equipment is in safe working condition.
- The vehicle and attachment should be stopped and inspected for damage after striking a foreign object. The damage should be repaired before restarting and operating the equipment.
- See tractor equipment owner's manual for safe operation of the equipment.



WARNING!

- DO NOT allow anyone to ride on Disk Harrow. The blades are sharp and personal injury could result.
- DISK BLADES HAVE SHARP EDGES. ASSEMBLE AND OPERATE THE DISK HARROW WITH CAUTION.



LOOK FOR THIS SYMBOL TO POINT OUT IMPORTANT SAFETY PRECAUTIONS. IT MEANS - ATTENTION! BECOME ALERT! YOUR SAFETY IS INVOLVED.

CUSTOMER RESPONSIBILITIES

- Read and observe the "SAFETY RULES".
- Follow a regular schedule in maintaining, caring for and using your Disk Harrow.

TABLE OF CONTENTS

WARRANTY..... 1
SAFETY RULES..... 2
ASSEMBLY..... 4 & 5

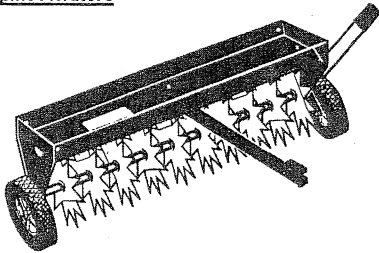
OPERATION..... 6
CUSTOMER RESPONSIBILITY..... 7
REPAIR PARTS..... 8
TANDEM DISK..... 6

CARING FOR THE QUALITY OF YOUR LAWN

with quality products from
BRINLY-HARDY COMPANY

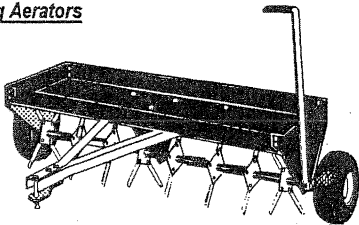
Our Quality Products

Spike Aerators



Our Spiker Aerators allow seed, fertilizer, air, and water to reach the lawn's root system, where they do the most good. This means fewer chemical applications and less frequent watering.

Plug Aerators

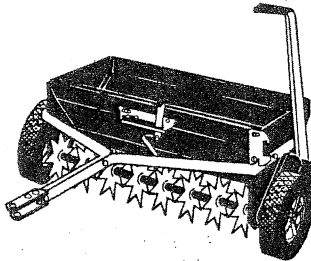


Our Plug-type Aerators are designed for the lawn care enthusiast who demands the ultimate in turf aeration! It actually pulls "plugs" of soil to relieve soil compaction and deposits them on top of the lawn where they're quickly broken down. You, too, can have a healthy looking lawn, once only affordable to golf courses!

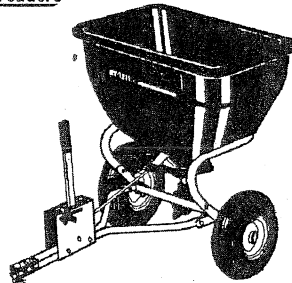
TO ORDER PARTS:
Brinly-Hardy Company
P.O. Box 18
Jeffersonville, IN 47131-0018
(877) 728-8224

Aerator Spreaders

You can actually handle two jobs at once with our Aerator-Spreader! This natural combination allows the 30" Aerator to perforate the soil, and the spreader immediately follows with seed, lime, or fertilizer; putting it INTO the ground so it can't be washed away!



Broadcast Spreaders



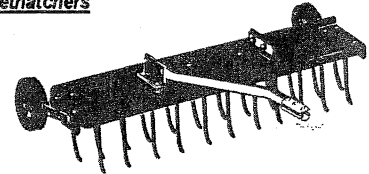
Our Brinly Spreaders handle everything from seed to ice-melters. Equipped with AutoFlow™, the material flow stops and starts when the rider does...no need to worry about "burns" or "streaks" on the lawn. Our gears are fully enclosed, so they'll last and last!

Our larger 2.5 and 3.5 cu. ft. Spreaders offer a unique, Directional Spread Pattern Control that lets you CHOOSE your spread pattern; adjust it to spread to either side or to center. Also, a clear, vinyl cover is included to protect materials from moisture.

About the Company

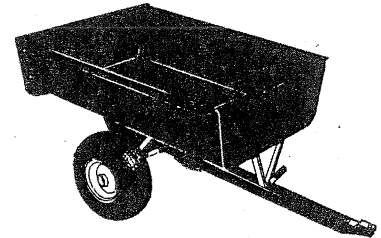
For generations, Brinly-Hardy has been serving the growing needs of farmers, gardeners, lawn professionals, and homeowners. Our first plow was introduced in 1839, and ever since, we have been forging a name in the production of quality-crafted farm, lawn, turf, and garden tools. It's a proud heritage, one you can trust in caring for your lawn.

Dethatchers



If left alone, matted layers of thatch and large grass clippings can form on your lawn which prevents air circulation and breeds disease. Our patented design Dethatcher with spring steel tines gently comb thatch and clippings to the surface where they can be re-mulched, collected, or left exposed to the elements to break down.

Utility Carts



Our Dumping Utility Carts have a patented, rounded corner design which prevents soil, gravel, mulch, sand, etc. from getting trapped along the edges (where they can cause rust), and the bracketless, removable tailgate has NO obstructions to catch material when dumping. These Utility Carts are built to last with our solid steel axles, heavy steel beds, and our state-of-the-art powder coated paint finish.

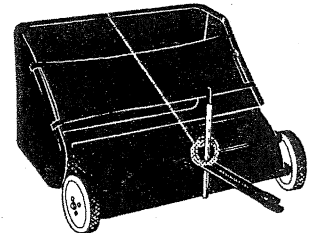
CUT HERE

BRINLY-HARDY COMPANY
P.O. BOX 18
JEFFERSONVILLE, IN
47131-0018

(877) 728-8224

website address: www.brinly.com
e-mail address: brinly@brinly.com

Sweepers



A Brinly-Hardy Sweeper is sure to make your outside chores much easier! Forget the brooms and rakes, you can quickly sweep up grass clippings, leaves, and even debris from the pavement and quickly dump them into compost bins or bags. The spring-loaded Compost Clip makes it a snap!

For even more versatility, attach our new Dethatcher Kit to either our 30" or 36" Sweeper, and tackle two jobs at once!

These sweepers are built for all seasons and will last for years and years.

ASSEMBLY

NOTE: Before starting assembly, separate each kind of hardware into a group for ease of assembly.

NOTE: Right Hand (R.H.) and Left Hand (L.H.) are determined from the OPERATOR'S position while seated on tractor.

This unit can be assembled as a Front Disk Harrow for Mounting directly to the Tractor Sleeve Hitch or as a Rear (Tandem) Disk Harrow (Requires purchase of an additional Disk Harrow).

Assembly as Front (Hitch Mounted) Disk Harrow.

Refer to Fig. 1

- Assemble Both Disk Gangs as shown.

NOTE: Curved side of Disk Blades must be positioned as shown - relative to Disk Hanger. Unplated Bearing Tube must be inserted in Disk Hanger.

- Tighten 3/4" Hex Nut on Gang Bolt. Assemble and tighten 3/4" Jam Nut securely against 3/4" Regular Hex Nut.



WARNING!

DISK BLADES HAVE SHARP EDGES. ASSEMBLE AND OPERATE THE DISK HARROW WITH CAUTION.

TO ASSEMBLE YOUR DISK HARROW, YOU WILL NEED:

- 2 - 1-1/8" wrenches
- or
- 2 - 10" Adjustable Wrenches
- 1 - 9/16" Wrench
- 2 - 3/4" Wrench
- 1 - Pair of Gloves (Optional)

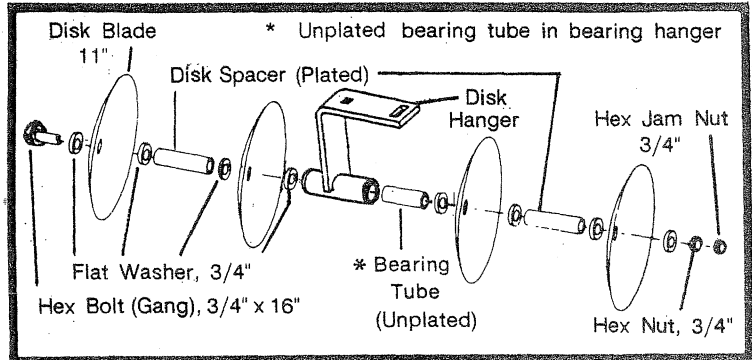


Fig. 1

Refer to Fig. 2

- Attach the Hitch Bar to the UNDERSIDE of Tray (Positioned as shown on Tray). Secure with two 1/2" x 1-1/4" Carriage Bolts, Lock Washers and Hex Nuts.
- Position the Adaptor Coupler UNDER the Hitch Bar as shown. Align the two holes in the Adaptor Coupler with the second and third holes in the Hitch Bar. Secure with 1/2" x 1-1/2" Hex Bolts, Lock Washers, and Hex Nuts.

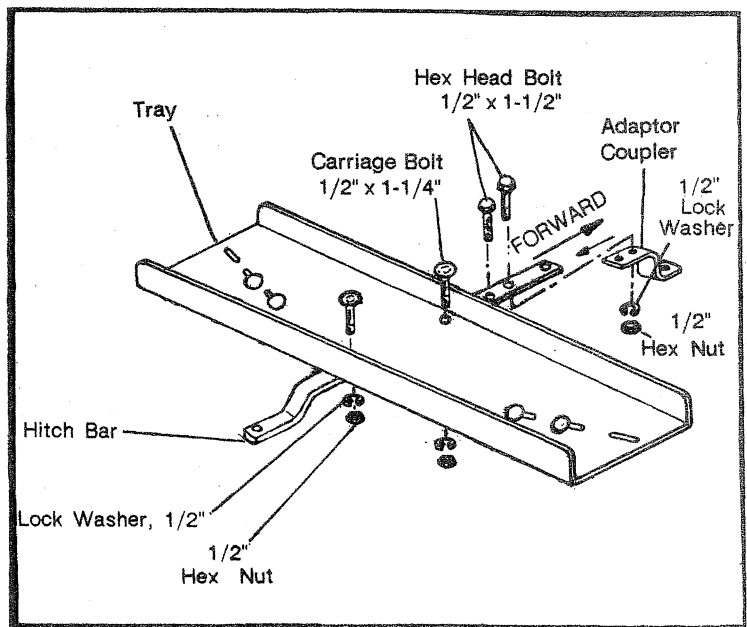


Fig. 2

Refer to Fig. 3

- Determine your requirements for Disk Angling and Spacing. (Refer to Fig. 6 & 7) Disk Gang Angles are adjustable for 10, 15, & 20 degree Angles. The 15 degree position (center of the Adjusting Slot in Disk Hanger) is recommended to start. The 10 and 20 degree Angles are for less aggressive or more aggressive Disking Action.
- Attach each completed Disk Gang Assembly to the Tray as shown into inner sets of slots in Tray using 3/8" x 1" Carriage Bolts, 3/8" Flat Washers (next to slots in Disk Hangers), 3/8" Lock Washers and 3/8" nuts. The cutting edges of Disk Blades face toward outside of Disk Tray. NOTE: The carriage bolts must be inserted from the TOP, locking in the selected Disk Gang Angle - (15° Center of Adjusting Slot to start).
- Normal operation of the Disk is at the 15 degree Disk Gang Angle with the two center Disk Blades as close together as possible. This is accomplished by placing the Carriage Bolts in the CENTER and inner slots of the Tray and moving as close to the center of the Tray as possible.
- Tighten all fasteners previously assembled and Lubricate (Grease) both Disk Gangs through the Grease Fittings until grease comes out around ends of disk hanger.

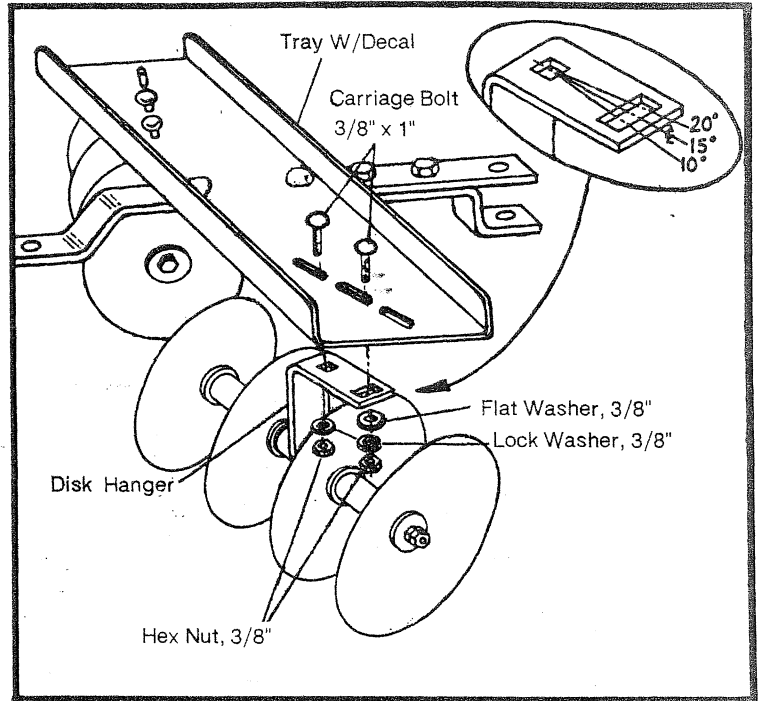


Fig. 3

Assembly as Rear (Tandem) Disk Harrow
(Requires purchase of additional Disk Harrow).

Refer to Fig. 4

- Assemble both Disk Gangs as described in Fig. 1.
- Assemble Hitch Bar, Adaptor Coupler and Tray as described in Fig. 2.
- Determine your requirements for disk angling. Disk Gang Angles are adjustable for 10, 15 & 20 degree angles. The 15 degree position (Center of the Adjusting Slot in Disk Hanger) is recommended to start. The 10 & 20 degree angles are for less aggressive or more aggressive disking action.
- Attach each completed Disk Gang Assembly to the Tray as shown, into the OUTER set of slots in Tray, using 3/8" x 1" Carriage Bolts, 3/8" Flat Washers (next to slots in Disk Hangers), 3/8" Lock Washers and 3/8" Hex Nuts. Cutting edges of Disk Blades face toward center of Disk Tray to throw dirt in (opposite of the Front Disk Harrow Blades). Inner Blades of Disk Gangs to be set apart 8"-10" (See Fig. 7). NOTE: The carriage bolts must be inserted from the TOP, locking in the selected Disk Gang Angle - (15° Center of Adjusting Slot to start).
- Tighten all fasteners previously assembled and Lubricate (Grease) both Disk Gangs through Grease Fittings until grease comes out around ends of Disk Hanger.

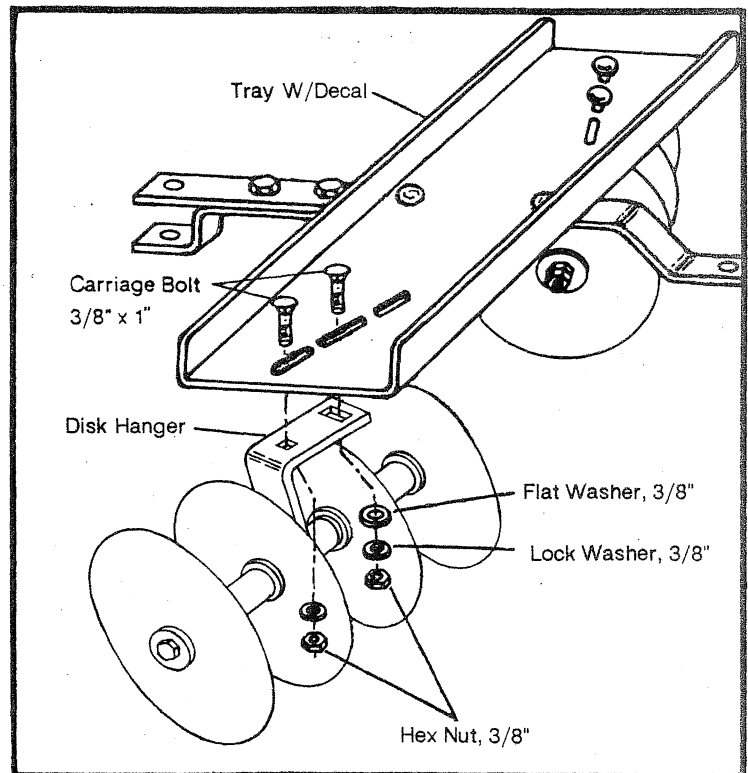


Fig. 4

OPERATION

Refer to Fig. 5

- For tractors equipped with sleeve hitch, refer to operator's manual on your hitch for any hitch pre-adjustment instructions.
 - Remove stabilizer bolts from your hitch. Disk Harrow should be free to move side to side on hitch.
 - Mount the Disk Harrow to the sleeve hitch, with hitch pin.
 - Disking breaks down large clods of plowed dirt, preparing a smooth seed bed. Depending on ground conditions, several passes may be required. It is recommended that disking be done in a "zig-zag", then "criss-cross" pattern.
 - The Disk Harrow may also be used for early cultivation by moving the disk gangs out to maximum width to straddle young row crops. The Disk Gangs can be reversed to throw dirt inward or outward. When set to throw dirt in, the dirt will smother grass and weed seedlings between the plants.
- NOTE: NEVER DISK WHEN THE SOIL IS WET! Take a handful of soil and squeeze it in the palm of your hand. If it forms a ball and doesn't crumble, soil is too wet for disking. Disking in soil that is too moist will cause soil to pack between Disk Blades. Running tractor over moist soils will cause soil compaction, resulting in hard packed soil conditions when it dries out.
- Start disking slowly at first, use third or fourth gear, as larger clods are broken down and pulverized.
 - The addition of a concrete block (or other weight) may be required for good penetration. Weight should be added AFTER the Disk Harrow has been attached to the rider/tractor Drawbar and may be secured with rubber tie-down straps, bailing wire, nylon rope, or any suitable binding material to the four holes in Tray flanges.

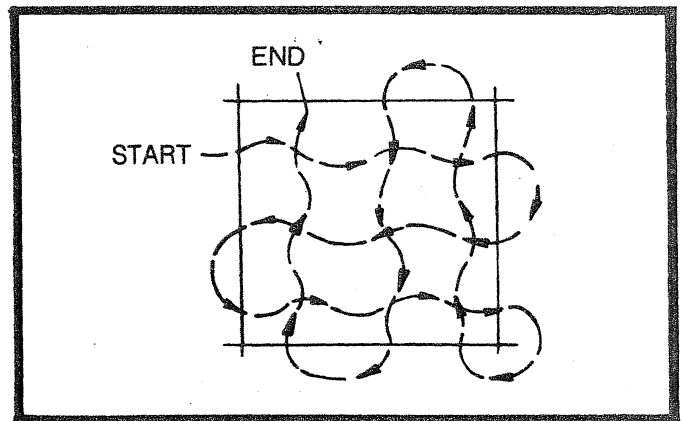


Fig. 5

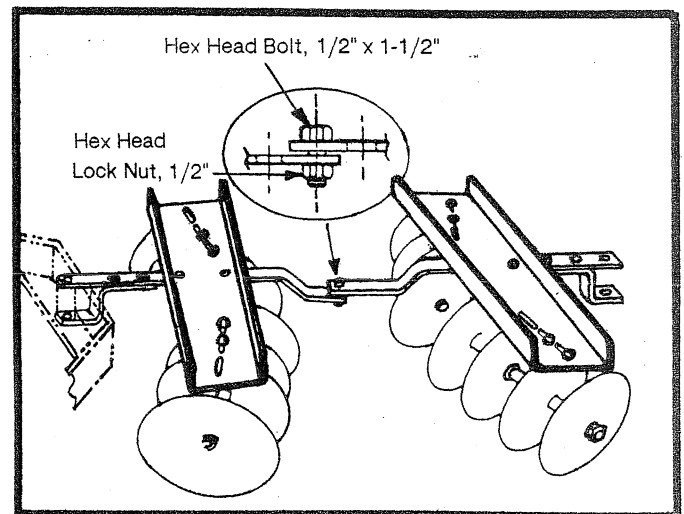


Fig. 6

TANDEM DISK HARROW

Refer to Fig. 6 & 7

- An additional Disk Harrow can be assembled (as described in Fig. 4) to form a Tandem Disk Harrow. Attach front and rear gangs using a 1/2" x 1-1/2" Hex Bolt and a 1/2" Lock Nut. Allow about 1/8" gap between the two hitch bars.



WARNING

- DO NOT attempt to lift the Tandem Arrangement with the Tractor Hitch.

- When properly set, the Front Disk Gang will throw dirt out, and the Rear Disk Gang will throw the dirt in.
- The Front Gangs Inner Blades should be set close to throw dirt out, and the Rear Gang Blades reversed, with inner blades set apart 8" - 10", to throw dirt in.

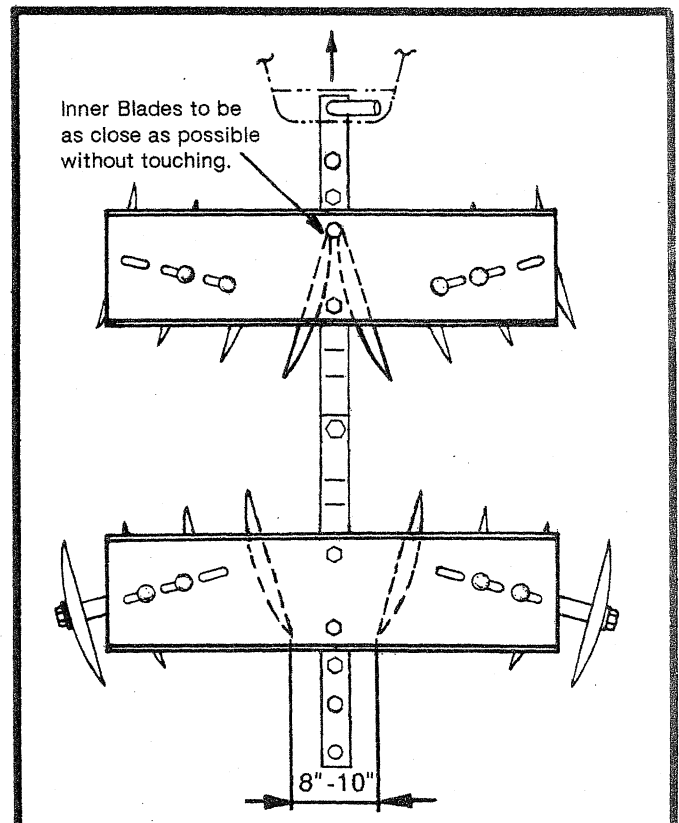
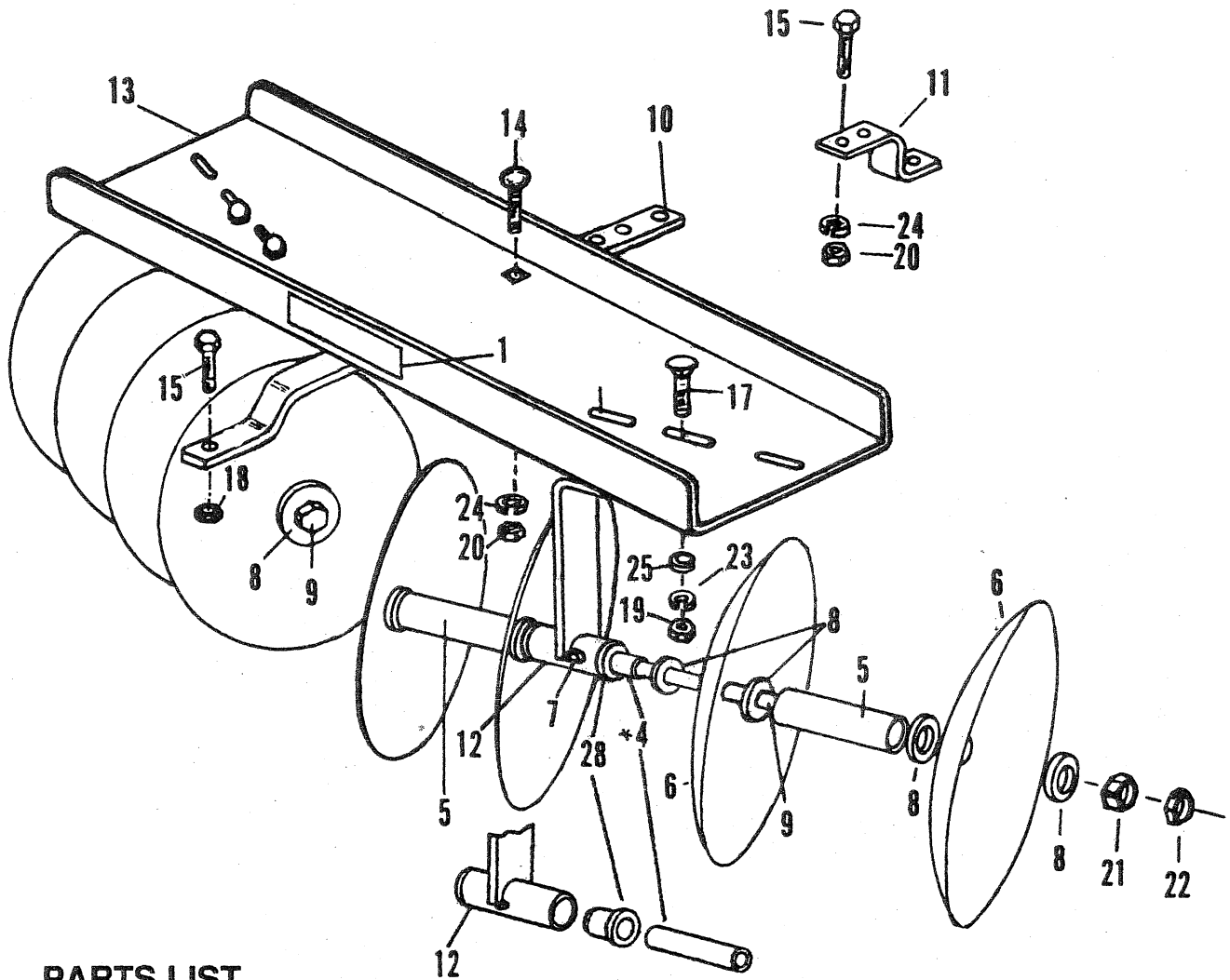


Fig. 7

CUSTOMER RESPONSIBILITY

- Frequently inspect all fasteners - they must be tight!
 - Lubricate the disk bearings through grease fittings (7), shown on the parts list, before each disk operation and at four-hour intervals during use.
- NOTE: When lubricating bearings, it is recommended that you use automotive-type chasis lube.
-

MODEL DD-55I DISK HARROW



PARTS LIST

Ref. No.	Part. No.	Description	Qty.
1	B-59 25	Logo Decal	1
*4	D-121	Bearing Tube (Unplated)	2
5	D-122P-01	Disk Spacer (Plated)	4
6	D-126-10	Disk Blade, 11"	8
7	D-128P	Grease Fitting, 5/16"	2
8	45M2525P	Flat Washer, 3/4"	16
9	D-144P	Hex Bolt (Gang), 3/4" x 16"	2
10	D-282-10	Hitch Bar	1
11	D-283-10	Adaptor Coupler	1
12	D-181A	Disk Hanger	2
13	D-281-10	Tray	1
14	10M1620P	Carriage Bolt, 1/2" x 1 1/4"	2
15	1M1624P	Hex Head Bolt, 1/2" x 1 1/2"	3
17	10M1216P	Carriage Bolt, 3/8" x 1"	4
18	B-1677P	Hex Lock Nut, 1/2"	1
19	30M1200P	Hex Nut, 3/8"	4
20	30M1600P	Hex Nut, 1/2"	4
21	30M2400P	Hex Nut, 3/4"	2
22	31M2400P	Hex Jam Nut, 3/4"	2
23	40M1200P	Lock Washer, 3/8"	4
24	40M1600P	Lock Washer, 1/2"	4
25	45M1313P	Flat Washer, 3/8"	2
28	D-279	Disk Bearing	4

TO ORDER PARTS:

BRINLY-HARDY COMPANY
P.O. BOX 18
JEFFERSONVILLE, IN
47131-0018
(877) 728-8224